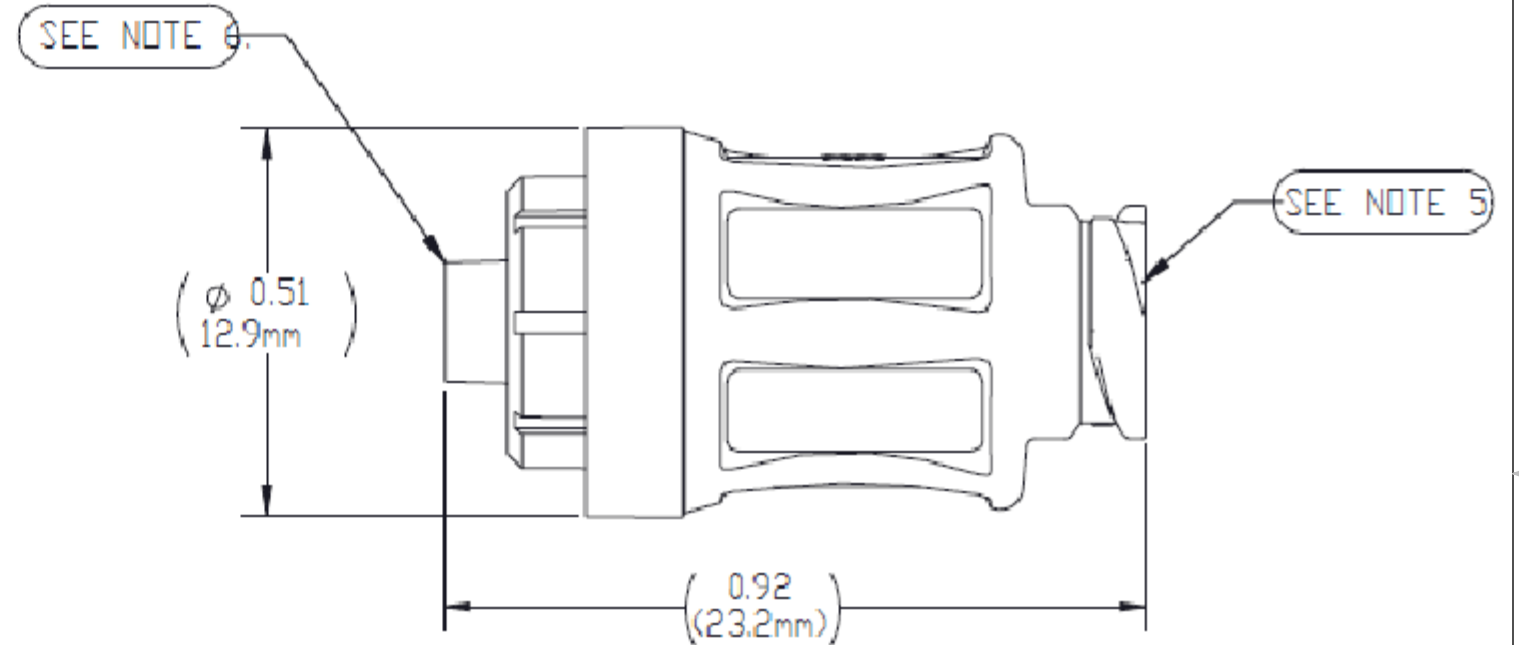
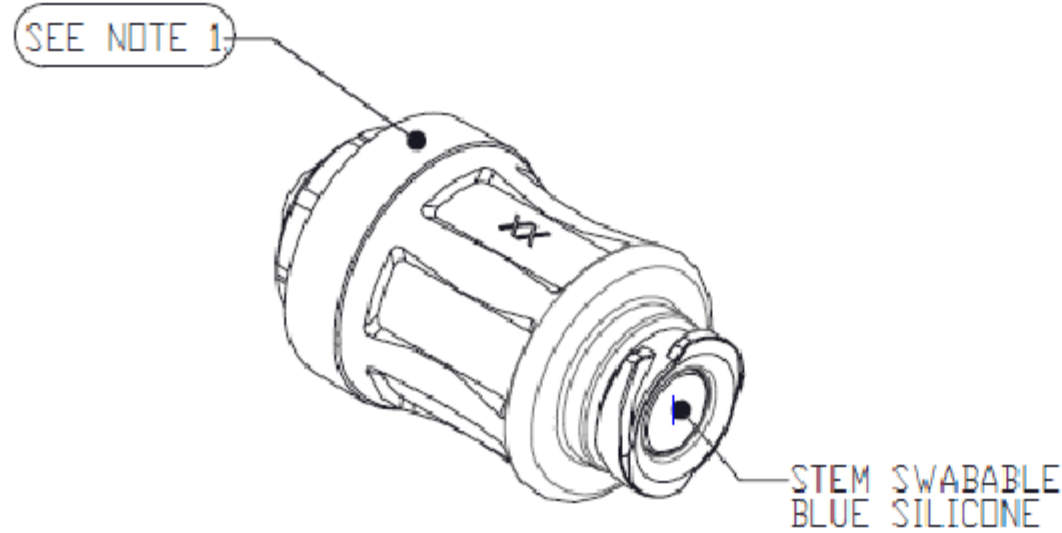


NOTES: FOR ADDITIONAL DETAILS, PLEASE CONTACT VP CUSTOMER SERVICE  
 DIMENSIONS MARKED   ARE CONTROL DIMENSIONS

REVISIONS			
REV.	DESCRIPTION	DATE	APPROVED
A	INITIAL RELEASE	01-08-14	S.N.R



NOTES:

1. CLEAR COPOLYESTER
2. CRITICAL DIMENSIONS ARE CIRCLED AND SUBJECT TO INSPECTION.
3. DIMENSIONS IN PARENTHESES ARE FOR REFERENCE ONLY.
4. ALL DIMENSIONS ARE IN INCHES WITH THE NOMINAL DIMENSION IN MILLIMETERS BELOW.
5. LUER COMPATIBLE WITH ISO594-2.
6. LUER CONFORMS TO ISO594-2

VALVE SPECIFICATION:

PRIMING VOLUME: 0.09 ML  
 BACK PRESSURE: > 30 PSI, REF. (2.1 BAR) (< 40 PSI NOMINAL )  
 FLOW RATE: 360 ML/ MIN. (< 21,000 ML/HR ) @ 1 PSI, (0.07 BAR) (< 30 INCHES HEAD HEIGHT).  
 BIOCOMPATIBILITY: PASSES ISO 10993, PART 1.  
 MATERIALS: ALL MATERIALS ARE GAMMA RESISTANT, MEET USP CLASS VI, ARE DEHP, AND LATEX FREE.  
 POTENTIAL STERILIZATION: ETO, AND GAMMA, BASED ON RAW MATERIAL SPECIFICATIONS.

UNLESS OTHERWISE SPECIFIED DIMENSIONS ARE IN INCHES TOLERANCES ARE:		<b>VALUE PLASTICS, INC</b>			
FRACTIONS ±	DECIMAL .XX ±.01 .XXX ±.005 .XXXX ±.001	ANGULAR ± 1°	PART NUMBER: NVFMLLCP		
DO NOT SCALE DRAWING			DESCRIPTION: Swabable Valve, Copolyester		
DRAWN BY: Jonathan Mayer	DATE: 1/8/2014	SIZE: <b>B</b>	SCALE: NTS	VER: 	DWG. NO. 1027677
MANAGER: Ravi Narayanan		© 2011 VALUE PLASTICS, INC			REV A
SHEET: 1 OF 1					

**FOR REFERENCE ONLY**